

Design Features:

- Standard sizes from 3/4" - 48".
- Used primarily for new pipeline start-up or where solid loading is minimal.
- Filtration as fine as 40 microns available.
- Available in conical, basket and plate configurations.
- Available flat faced, raised face or RTJ with or without face serrations.
- All 304 SS construction is standard. Construction in other materials is available (i.e carbon steel, monel, hastelloy, titanium, etc.).
- May be installed in horizontal or vertical pipelines with cone pointed upstream or downstream.
- Strainer size and pressure rating is stamped on handle.

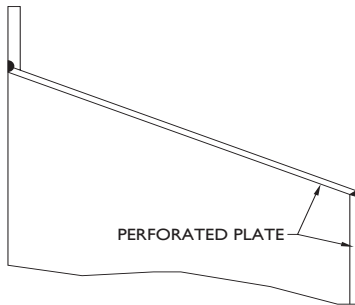
Parts List and Standard Materials

Part	Carbon Steel	304 Stainless Steel
Ring	A36	A240-304
Handle	A36	A240-304
Perforated Plate	A36	A240-304
Mesh ¹	A276-304	A276-304

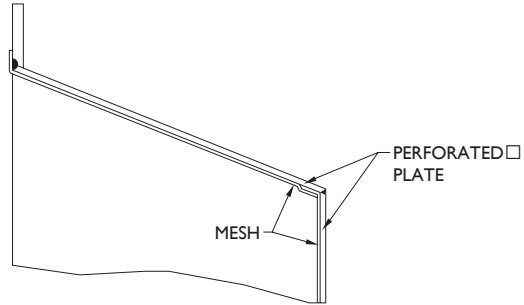
Note: 1. When required and when used.

- Notes:**
1. Strainers suitable for large differential pressures are available. Please see page 30 for standard ratings.
 2. Mesh lined strainers manufactured for unidirectional flow cannot be used for bi-directional flow. Please specify the bi-directional flow requirement when ordering.
 3. Please specify if handles are to be stamped with tag numbers when ordering.

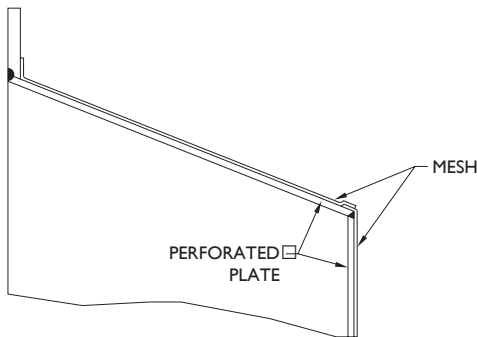
Standard Construction Details



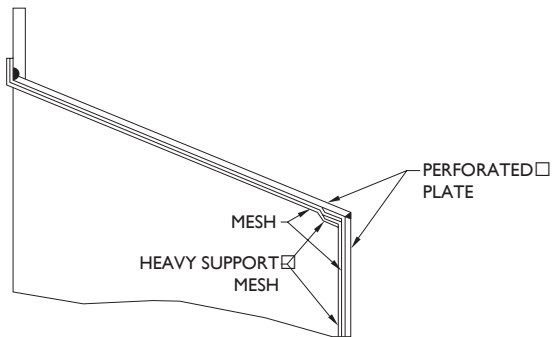
PERFORATED PLATE



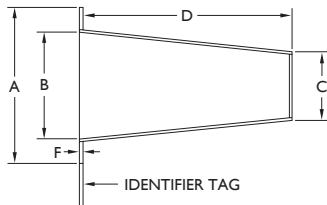
**MESH INSIDE
FLOW INSIDE TO OUT**



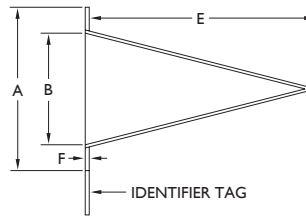
**MESH OUTSIDE
FLOW OUTSIDE TO IN**



**MESH LINED
BI-DIRECTIONAL FLOW**



BASKET TYPE (TB)



CONICAL TYPE (TC)

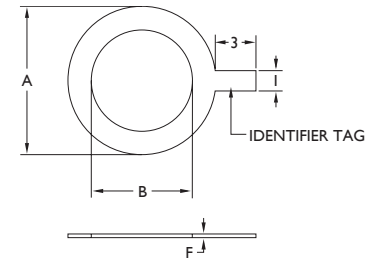


PLATE TYPE (TP)

Standard Screens

Size Range	Opening	Gauge Thickness
3/4" - 8" (20mm - 200mm)	0.125 in. (3.2mm)	22
10" - 24" (250mm - 600mm)	0.125 in. (3.2mm)	16

Parts List and Standard Materials

Size in. (mm)	A (O.D.) in. (mm)				B (I.D.) in. (mm)	C in. (mm)	D (Basket Length) in. (mm)				E (Cone Length) in. (mm)				F ² in. (mm)	Weight Lbs. (Kg.)
	150/300#	600#	900#	1500#			100%	150%	200%	300%	100%	150%	200%	300%		
3/4"	2.13	2.50	2.63	2.63	0.63	0.31	0.75	1.13	1.50	2.25	1.13	1.69	2.25	3.38	0.13	0.5
20	54	64	67	67	16	8	19	29	38	57	29	43	57	86	3	0.2
1"	2.50	2.75	3.00	3.00	0.75	0.38	1.13	1.69	2.25	3.38	1.63	2.50	3.31	5.00	0.13	0.5
25	64	70	76	76	19	10	29	43	57	86	41	64	84	127	3	0.2
1 1/2"	3.25	3.63	3.75	3.75	1.25	0.63	1.50	2.25	3.00	4.50	2.19	3.38	4.50	6.75	0.13	0.5
40	83	92	95	95	32	16	38	57	76	114	56	86	114	171	3	0.2
2"	4.00	4.25	5.50	5.50	1.75	0.88	2.00	3.00	4.00	6.00	3.00	4.50	6.00	9.13	0.13	0.5
50	102	108	140	140	44	22	51	76	102	152	76	114	152	232	3	0.2
2 1/2"	4.75	5.00	6.38	6.38	2.25	1.13	2.19	3.37	4.50	6.75	3.19	5.00	6.69	10.13	0.13	1
65	121	127	162	162	57	29	56	86	114	171	81	127	170	257	3	0.5
3"	5.25	5.75	6.50	6.75	2.75	1.38	2.75	4.25	5.69	8.50	4.00	6.25	8.50	12.75	0.13	1
80	133	146	165	171	70	35	70	1.08	145	216	102	159	216	324	3	0.5
4"	6.75	7.50	8.00	8.13	3.75	1.88	3.50	5.32	7.19	11.00	5.13	7.88	10.63	17.00	0.13	2
100	171	191	203	206	95	48	89	135	183	279	130	200	270	432	3	0.9
5"	7.63	9.38	9.63	9.88	4.63	2.31	4.50	6.75	9.13	14.00	6.50	10.13	14.00	21.00	0.13	2
125	194	238	244	251	117	59	114	171	232	356	165	257	356	533	3	0.9
6"	8.63	10.37	11.25	11.00	5.38	2.69	5.50	8.50	11.37	17.00	8.13	13.00	17.00	26.00	0.13	3
150	219	263	286	279	137	68	140	216	289	432	207	330	432	660	3	1.4
8"	10.87	12.50	14.00	13.75	7.38	3.69	7.00	10.69	15.00	22.00	10.19	16.00	22.00	33.00	0.13	5
200	276	318	356	349	187	94	178	272	381	559	259	406	559	838	3	2.3
10"	13.25	15.63	17.00	17.00	9.38	4.69	8.63	14.00	18.00	27.00	13.00	20.00	27.00	40.00	0.13	7
250	337	397	432	432	238	119	219	356	457	686	330	508	686	1016	3	3.2
12"	16.00	17.87	19.50	20.37	11.00	5.50	10.50	17.00	22.00	33.00	16.00	24.00	33.00	49.00	0.13	11
300	406	454	495	517	279	140	267	432	559	838	406	610	838	1245	3	5.0
14"	17.37	19.00	20.37	22.62	12.25	6.13	11.50	18.00	24.00	36.00	17.00	27.00	36.00	54.00	0.13	12
350	441	483	517	575	311	156	292	457	610	914	432	686	914	1372	3	5.4
16"	20.12	21.87	22.50	25.13	14.00	7.00	14.00	21.00	28.00	42.00	20.00	31.00	41.00	62.00	0.13	16
400	511	555	572	638	356	178	356	533	711	1067	508	787	1041	1575	3	7.3
18"	21.25	23.75	25.00	27.63	15.75	7.88	16.00	24.00	32.00	47.00	23.00	35.00	47.00	71.00	0.13	20
450	540	603	635	702	400	200	406	610	813	1194	584	889	1194	1803	3	9.1
20"	23.50	26.62	27.38	29.63	17.50	8.75	17.00	27.00	35.00	53.00	25.00	39.00	53.00	79.00	0.13	26
500	597	676	695	753	445	222	432	686	889	1346	635	991	1346	2007	3	11.8
24"	27.87	30.87	32.88	35.38	21.25	10.63	21.00	32.00	42.00	64.00	30.00	47.00	63.00	95.00	0.13	30
600	708	784	835	899	540	270	533	813	1067	1626	762	1194	1600	2413	3	13.6

Notes: 1. The Open Area % is calculated as follows:

$$OA\% = \frac{\text{Screen Area} \times 0.4}{\text{Area of Sch. 40/std. pipe.}} \times 100$$

General:

- For further optional features see pages 21-22.
- Other perforations and screen materials available. Please see page 24.

- Thicker material available upon request. Please contact factory.
- Strainers are available in many materials with many different screen openings. Please consult factory.
- Other sizes available on request.

- For pressure loss information see page 25.
- For ordering information please see page 38.
- Dimensions shown are subject to change. Contact factory for certified prints when required.